

May 10, 2018

4TH GRADE HOMEWORK

MS. ERNAMARIE AND MS. MARY ANN

DUE ON MAY 17th , 2018

***Note : For Language Homework
worksheets will be given on
Thursday, May 10th***

4/6
5/17



Check What You Know

Geometry

Identify these geometric figures: point, line, line segment, ray, vertex.

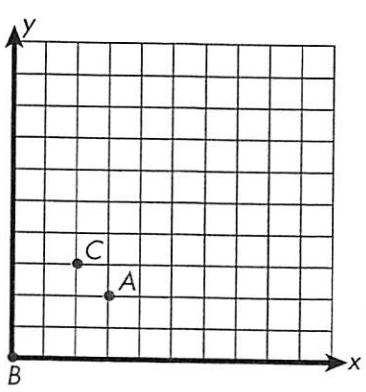
<p>a</p> <p>5. </p> <p>_____</p> <p>6. </p> <p>_____</p>	<p>b</p> <p></p> <p>_____</p> <p></p> <p>_____</p>	<p>c</p> <p></p> <p>_____</p>
---	---	--------------------------------------

Identify each angle as right, acute, or obtuse.

<p>7. </p> <p>_____</p>	<p></p> <p>_____</p>	<p></p> <p>_____</p>
-------------------------	----------------------	----------------------

Identify each pair of lines as parallel or perpendicular.

<p>8. </p> <p>_____</p>	<p></p> <p>_____</p>	<p></p> <p>_____</p>
-------------------------	----------------------	----------------------



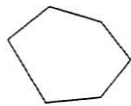
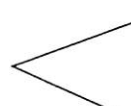

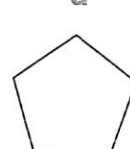
9. Plot the ordered pairs on the graph.
 (0, 2) (1, 1) (3, 0)
10. Identify the location of each ordered pair on the graph.
- A _____
- B _____
- C _____



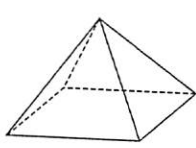
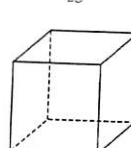
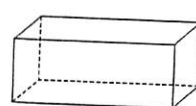
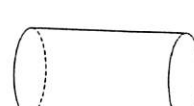
Check What You Know

Geometry

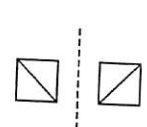
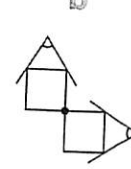
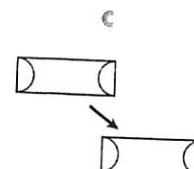
Identify each plane figure.

1. a b c d
- 
- 
- 
- 
- _____

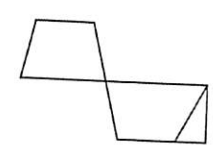

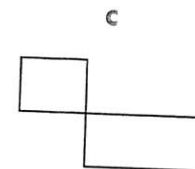
Identify each solid figure as a cube, cylinder, rectangular prism, square pyramid, or sphere.

2. a b c d
- 
- 
- 
- 
- _____

Identify how each figure has been moved by writing slide, flip, or turn.

3. a b c
- 
- 
- 
- _____

Identify each pair of plane figures as congruent or not congruent.

4. a b c
- 
- 
- 
- _____

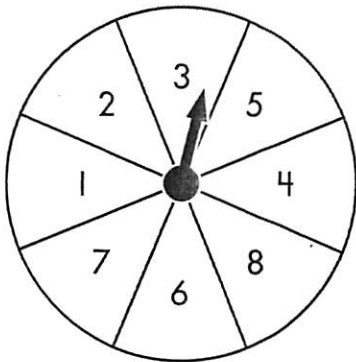


Check What You Know

Graphs and Probability

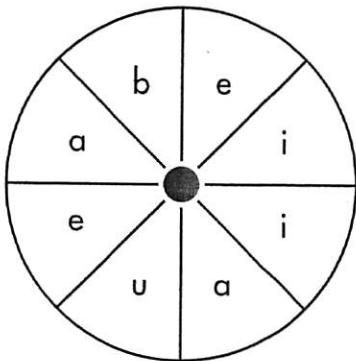
Find the probability of each event.

9. What is the probability of spinning an 8 on this wheel?



The probability of spinning an 8 is _____.

10. What is the probability of spinning an i on this wheel?



The probability of spinning an i is _____.

SHOW YOUR WORK

Solve the problem.

11. In a bag of 15 candy bars, there are 5 chocolate, 5 vanilla, and 5 strawberry candy bars. What is the probability of picking out a vanilla candy bar?

The probability of picking out a vanilla candy bar is _____.

11.

**Check What You Know**

Graphs and Probability

Use the line graph to answer questions 1–3.

1. What day of the week did Alicia spend the most money?

Alicia spent the most money on _____.

2. About how much money did Alicia spend on Tuesday?

Alicia spent about _____ on Tuesday.

3. What trend does the graph show from Sunday to Saturday?

From Sunday to Saturday, the amount Alicia spends _____ each day.



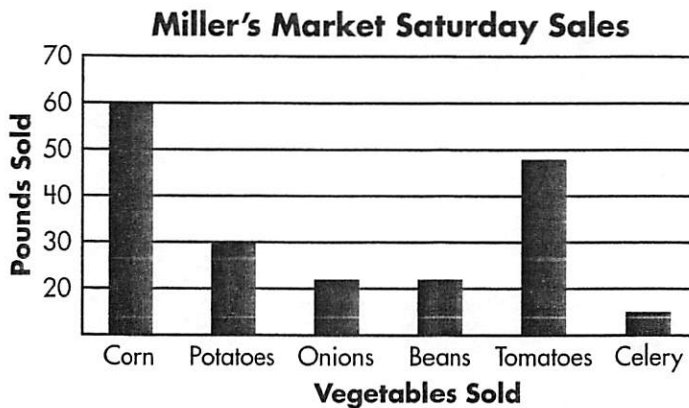
Use the bar graph to answer each question.

4. About how many pounds of celery were sold at Miller's Market?

About _____ pounds of celery were sold.

5. What is the difference between the amount of corn sold and the amount of potatoes sold?

About _____ pounds more corn was sold than potatoes.



Circle *true* or *false* under each statement.

6. The tomatoes, corn, and beans sold add up to about 130 pounds.

True False

7. Miller's Market sold over 190 pounds of vegetables on Saturday.

True False

8. Based on weight, the top three vegetables sold were corn, potatoes, and tomatoes.

True False